

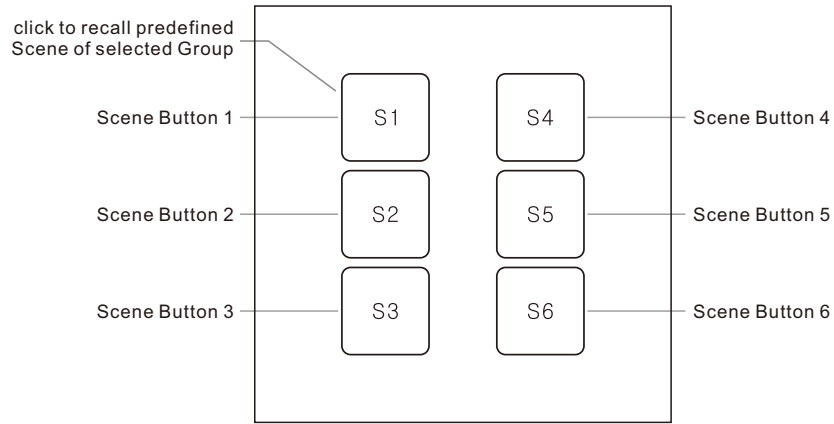
Scene Control Full Touch Single Color DALI Panel

09.230WE.04172

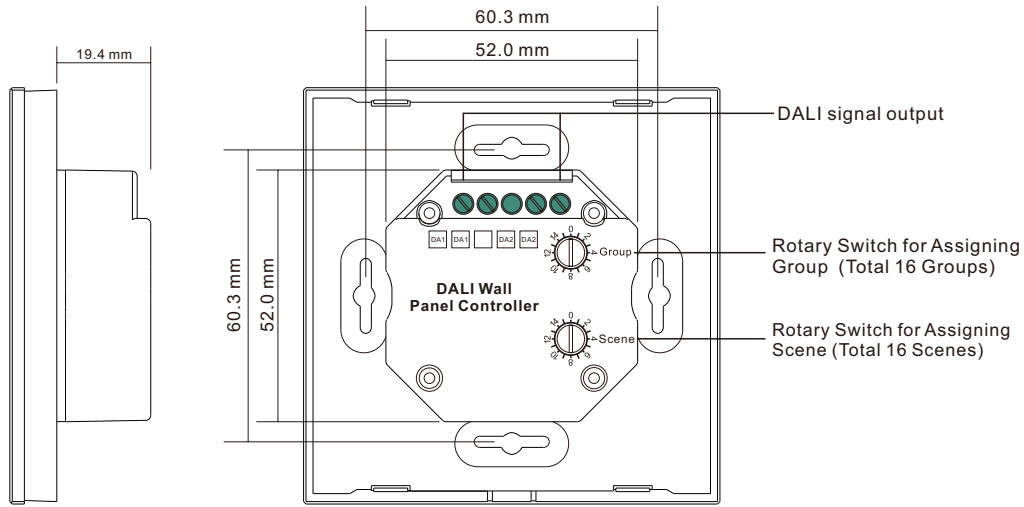


Important: Read All Instructions Prior to Installation

Function introduction



Front side



Back side

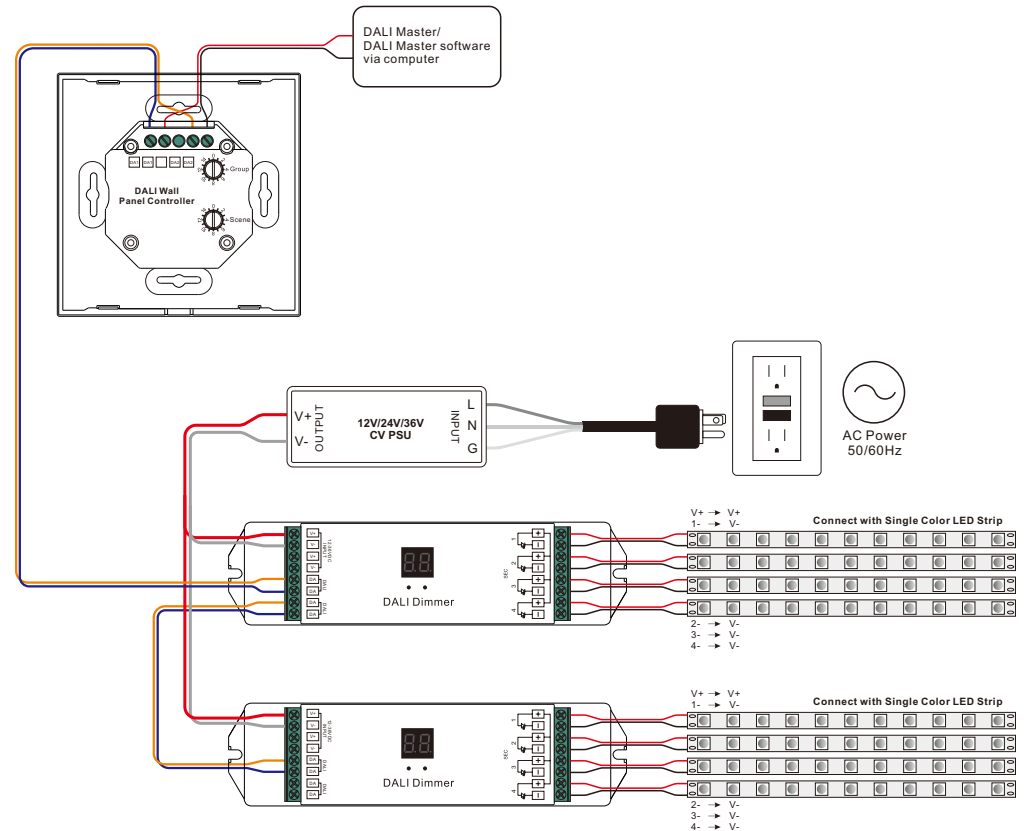
Product Data

Output	DALI signal
Power Supply	Supply By DALI Bus
Operation Current	4mA
Operating temperature	0-40°C
Relative humidity	8% to 80%
Dimensions	86x86x29.1mm
Waterproof grade	IP20

Safety & Warnings

- DO NOT install with power applied to device.
- DO NOT expose the device to moisture.

Wiring diagram



Operation

1. Do wiring according to connection diagram correctly.

2. Set starting Group number via rotary switch on the back: (0-15 selectable)

- This DALI touch panel controller enables Group selection commands to be sent to One Group of devices on the DALI circuit for Scene control. A rotary switch on the back is used to select Group you would like to control and set the starting Group number, and total 16 Groups (0-15) can be selected.

- When the rotary switch arrow position is at 0, the DALI panel controls all DALI devices on the circuit via broadcast.

- When the rotary switch arrow position is at X except 0 (1-15), the DALI panel controls DALI Group X-1.

For example: Rotary switch arrow at 1, it controls devices in DALI Group 0. Rotary switch arrow at 15, it controls devices in DALI Group 15.

Note: all DALI slaves on the circuit shall be assigned to one or more DALI groups by DALI master first.

Please refer to the detailed Group setting table as follows:

Rotary Switch Position	0	1	2	3	4	5	6	7	8	9	10	11	12	13	14	15
DALI Group Selected	Broadcast	0	1	2	3	4	5	6	7	8	9	10	11	12	13	14

3. Set starting Scene number via rotary switch on the back: (0-15 selectable)

- This DALI touch panel controller enables Scene selection commands for up to six Scenes to be sent to the DALI circuit by 6 Scene buttons S1, S2, S3, S4, S5, S6. A rotary switch on the back is used to select Scenes you would like to control and set the starting scene number, and total 16 Scenes (0-15) can be selected.

- When the rotary switch arrow position is at X (0-15), Scene button S1 controls Scene X, S2 controls Scene X+1, S3 controls Scene X+2, S4 controls Scene X+3, S5 controls Scene X+4 and S6 controls Scene X+5.

For example: Rotary switch arrow at 0, button S1 controls Scene 0, S2 controls Scene 1, S3 controls Scene 2, S4 controls Scene 3, S5 controls Scene 4 and S6 controls Scene 5. Rotary switch arrow at 15, button S1 controls Scene 15, S2 controls Scene 0, S3 controls Scene 1, S4 controls Scene 2, S5 controls Scene 3, and S6 controls Scene 4.

Please refer to the detailed Scene setting table as follows:

Rotary Switch Position	0	1	2	3	4	5	6	7	8	9	10	11	12	13	14	15
Scene assigned to S1	0	1	2	3	4	5	6	7	8	9	10	11	12	13	14	15
Scene assigned to S2	1	2	3	4	5	6	7	8	9	10	11	12	13	14	15	0
Scene assigned to S3	2	3	4	5	6	7	8	9	10	11	12	13	14	15	0	1
Scene assigned to S4	3	4	5	6	7	8	9	10	11	12	13	14	15	0	1	2
Scene assigned to S5	4	5	6	7	8	9	10	11	12	13	14	15	0	1	2	3
Scene assigned to S6	5	6	7	8	9	10	11	12	13	14	15	0	1	2	3	4

Installation

